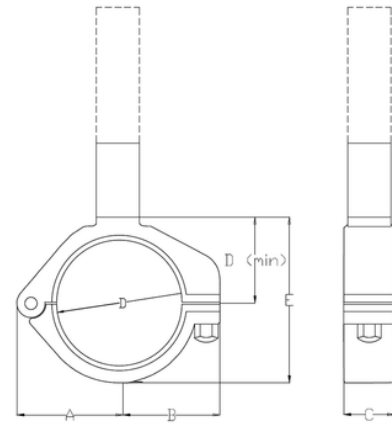


Soporte rígido para Tubing.



SIZE	ØD	A	B	C	D (min)	E	Ø de Varilla	# Parte / Ac. Inox 304
1/2"	0.500" 12.7 mm	0.930" 24.0 mm	1.020" 26.90 mm	0.750" 19.05 mm	1.080" 27.43 mm	1.670" 42.41 mm	0.500" 12.7 mm	G04304 05
3/4"	0.750" 19.05 mm	1.060" 27.0 mm	1.150" 29.20 mm	0.750" 19.05 mm	1.230" 31.242 mm	1.930" 49.02 mm	0.500" 12.7 mm	G04304 07
1"	1.000" 25.4 mm	1.200" 31.0 mm	1.280" 32.51 mm	0.750" 19.05 mm	1.350" 34.29 mm	2.190" 55.62 mm	0.500" 12.7 mm	G04304 10
1-1/2"	1.500" 38.1 mm	1.450" 37.0 mm	1.560" 39.62 mm	0.750" 19.05 mm	1.660" 42.164 mm	2.740" 69.59 mm	0.500" 12.7 mm	G04304 15
2"	2.000" 50.8 mm	1.740" 44.0 mm	1.790" 45.46 mm	0.750" 19.05 mm	1.850" 46.99 mm	3.180" 80.77 mm	0.500" 12.7 mm	G04304 20
2-1/2"	2.500" 63.5 mm	2.020" 51.0 mm	2.040" 51.81 mm	1.000" 25.4 mm	2.180" 55.37 mm	3.770" 95.75 mm	0.625" 15.87 mm	G04304 25
3"	3.000" 76.2 mm	2.270" 58.0 mm	2.290" 58.16 mm	1.000" 25.4 mm	2.340" 59.43 mm	4.180" 106.17 mm	0.625" 15.87 mm	G04304 30
4"	4.000" 101.6 mm	2.760" 70.0 mm	2.790" 70.86 mm	1.000" 25.4 mm	3.080" 78.23 mm	5.420" 137.66 mm	0.750" 19.05 mm	G04304 40
6"	6.000" 152.4 mm	3.980" 101.0 mm	4.460" 113.28 mm	1.500" 38.1 mm	4.450" 113.03 mm	8.030" 203.96 mm	1.000" 25.4 mm	G04304 60