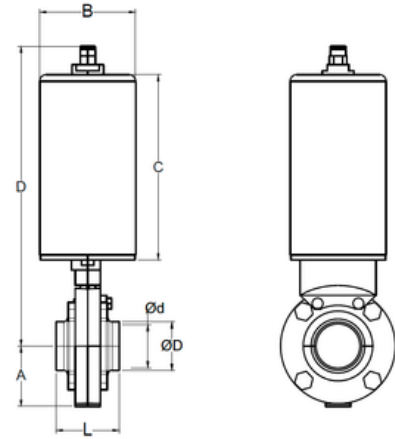


Válvulas de Mariposa

Válvula de mariposa operación neumática,
conexión soldable.



SIZE	L	ØD	Ød	A	B	C	D	# Parte / Ac. Inox 304	# Parte / Ac. Inox 316L
3/4"	3.968" 100.8 mm	0.750" 19.05 mm	0.620" 15.758 mm	2.992" 76.0 mm	3.287" 83.5 mm	5.255" 133.5 mm	8.767" 222.7 mm	F10304 07	F10316L 07
1"	1.968" 50.0 mm	1.000" 25.4 mm	0.870" 22.098 mm	2.992" 76.0 mm	3.287" 83.5 mm	5.255" 133.5 mm	8.767" 222.7 mm	F10304 10	F10316L 10
1-1/2"	1.968" 50.0 mm	1.500" 38.1 mm	1.370" 34.798 mm	3.307" 84.0 mm	3.287" 83.5 mm	5.255" 133.5 mm	8.767" 222.7 mm	F10304 15	F10316L 15
2"	1.968" 50.0 mm	2.000" 50.8 mm	1.870" 47.498 mm	3.818" 97.0 mm	3.287" 83.5 mm	5.255" 133.5 mm	9.181" 233.2 mm	F10304 20	F10316L 20
2-1/2"	1.968" 50.0 mm	2.500" 63.5 mm	2.370" 60.198 mm	4.527" 115.0 mm	3.287" 83.5 mm	5.255" 133.5 mm	9.535" 242.2 mm	F10304 25	F10316L 25
3"	2.362" 60.0 mm	3.000" 76.2 mm	2.870" 72.898 mm	5.078" 129.0 mm	4.000" 101.6 mm	6.240" 158.5 mm	10.633" 270.1 mm	F10304 30	F10316L 30
4"	2.362" 60.0 mm	4.000" 101.6 mm	3.834" 97.383 mm	6.181" 157.0 mm	4.000" 101.6 mm	6.240" 158.5 mm	11.185" 284.1 mm	F10304 40	F10316L 40

Nota: especificar requerimiento neumático - normalmente cerrado/abierto o doble efecto.