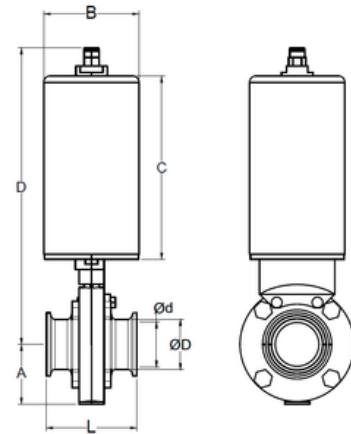


Válvulas de Mariposa

Válvula de mariposa operación neumática,
conexión clamp.



SIZE	L	ØD	Ød	A	B	C	D	# Parte / Ac. Inox 304	# Parte / Ac. Inox 316L
3/4"	4.968" 126.2 mm	0.750" 19.05 mm	0.620" 15.758 mm	2.992" 76.0 mm	3.287" 83.5 mm	5.255" 133.5 mm	8.767" 222.7 mm	F09304 07	F09316L 07
1"	2.968" 75.4 mm	1.000" 25.4 mm	0.870" 22.098 mm	2.992" 76.0 mm	3.287" 83.5 mm	5.255" 133.5 mm	8.767" 222.7 mm	F09304 10	F09316L 10
1-1/2"	2.968" 75.4 mm	1.500" 38.1 mm	1.370" 34.798 mm	3.307" 84.0 mm	3.287" 83.5 mm	5.255" 133.5 mm	8.767" 222.7 mm	F09304 15	F09316L 15
2"	2.968" 75.4 mm	2.000" 50.8 mm	1.870" 47.498 mm	3.818" 97.0 mm	3.287" 83.5 mm	5.255" 133.5 mm	9.181" 233.2 mm	F09304 20	F09316L 20
2-1/2"	2.968" 75.4 mm	2.500" 63.5 mm	2.370" 60.198 mm	4.527" 115.0 mm	3.287" 83.5 mm	5.255" 133.5 mm	9.535" 242.2 mm	F09304 25	F09316L 25
3"	3.362" 85.4 mm	3.000" 76.2 mm	2.870" 72.898 mm	5.078" 129.0 mm	4.000" 101.6	6.240" 158.5 mm	10.633" 270.1 mm	F09304 30	F09316L 30
4"	3.606" 91.6 mm	4.000" 101.6 mm	3.834" 97.383 mm	6.181" 157.0 mm	4.000" 101.6	6.240" 158.5 mm	11.185" 284.1 mm	F09304 40	F09316L 40

Nota: especificar requerimiento neumático - normalmente cerrado/abierto o doble efecto.