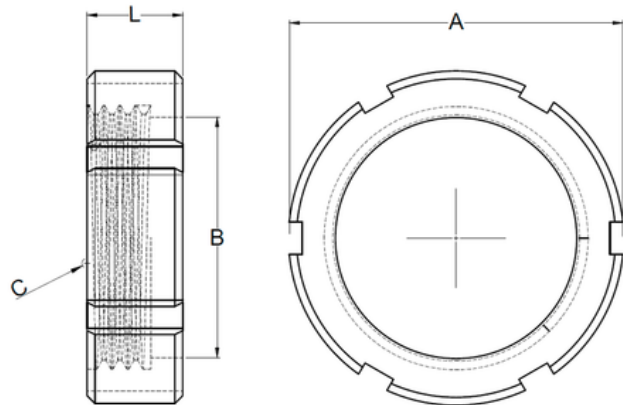
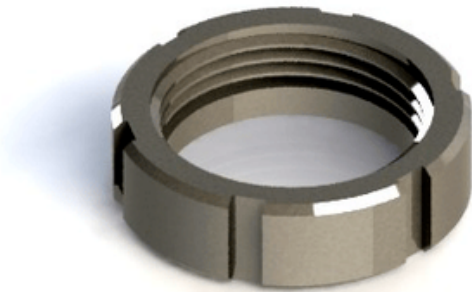


Tuerca redonda roscada, para unión SMS



SIZE	A	B	L	C	# Parte / Ac. Inox 304
1"	2.008" 51.0 mm	1.260" 32.0 mm	0.748" 19.0 mm	RD 40x1/6"	D06304 25
1-1/2"	2.913" 74.0 mm	1.890" 48.0 mm	0.906" 23.0 mm	RD 60x1/6"	D06304 40
2"	3.307" 84.0 mm	2.382" 60.5 mm	0.945" 24.0 mm	RD 70x1/6"	D06304 50
2-1/2"	3.937" 100.0 mm	2.913" 74.0 mm	1.102" 28.00 mm	RD 85x1/6"	D06304 65
3"	4.488" 114.0 mm	3.425" 87.0 mm	1.181" 30.0 mm	RD 98x1/6"	D06304 80
4"	5.039" 128.0 mm	4.449" 113.0 mm	1.220" 31.0 mm	RD 125x1/6"	D06304 100