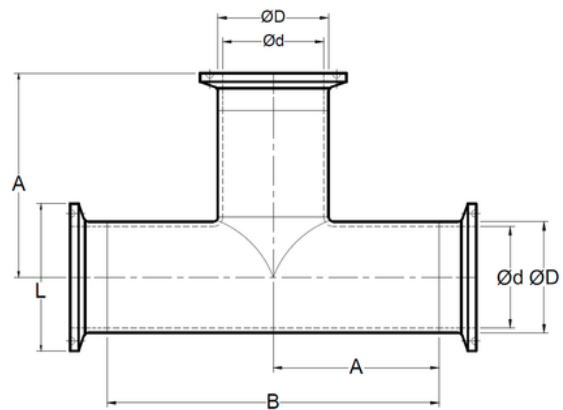


Tee recta, extremos clamp *3A Tee with Ferrule*



SIZE	ØD	Ød	L	A	B	# Parte / Ac. Inox 304	# Parte / Ac. Inox 316L
1/2"	0.500" 12.7 mm	0.370" 9.398 mm	0.984" 24.99 mm	2.500" 63.5 mm	4.500" 114.3 mm	C55304 05	C55316L 05
3/4"	0.750" 19.05 mm	0.620" 15.758 mm	0.984" 24.99 mm	2.375" 60.325 mm	4.750" 120.65 mm	C55304 07	C55316L 07
1"	1.000" 25.4 mm	0.870" 22.098 mm	1.984" 50.393 mm	2.375" 60.325 mm	4.750" 120.65 mm	C55304 10	C55316L 10
1-1/2"	1.500" 38.1 mm	1.370" 34.798 mm	1.984" 50.393 mm	2.750" 69.85 mm	5.500" 139.7 mm	C55304 15	C55316L 15
2"	2.000" 50.8 mm	1.870" 47.498 mm	2.516" 63.9 mm	3.500" 88.9 mm	7.000" 177.8 mm	C55304 20	C55316L 20
2-1/2"	2.500" 63.5 mm	2.370" 60.198 mm	3.047" 77.393 mm	3.500" 88.9 mm	7.000" 177.8 mm	C55304 25	C55316L 25
3"	3.000" 76.2 mm	2.870" 72.898 mm	3.579" 90.9 mm	3.750" 95.25 mm	7.500" 190.5 mm	C55304 30	C55316L 30
4"	4.000" 101.6 mm	3.834" 97.383 mm	4.682" 118.922 mm	4.500" 114.3 mm	9.000" 228.6 mm	C55304 40	C55316L 40
6"	6.000" 152.4 mm	5.782" 146.862 mm	6.570" 166.878 mm	5.875" 149.225 mm	11.750" 298.45 mm	C55304 60	C55316L 60