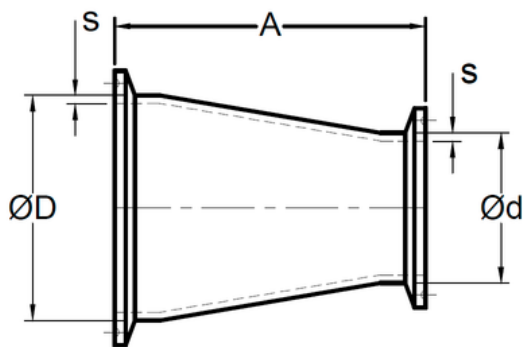


Reducción concéntrica, extremos ferulados clamp 3A Concentric Reduction



SIZE	ØD	Ød	A	s	# Parte / Ac. Inox 304	# Parte / Ac. Inox 316L
3/4"x1/2"	0.750" 19.05 mm	0.500" 12.7 mm	2.000" 50.8 mm	0.065" 1.65 mm	C70304 0705	C70316L 0705
1"x1/2"	1.000" 25.4 mm	0.500" 12.7 mm	2.500" 63.5 mm	0.065" 1.65 mm	C70304 1005	C70316L 1005
1"x3/4"	1.000" 25.4 mm	0.750" 19.05 mm	2.000" 50.8 mm	0.065" 1.65 mm	C70304 1007	C70316L 1007
1-1/2"x1/2"	1.500" 38.1 mm	0.500" 12.7 mm	3.500" 88.9 mm	0.065" 1.65 mm	C70304 1505	C70316L 1505
1-1/2"x3/4"	1.500" 38.1 mm	0.750" 19.05 mm	3.000" 76.2 mm	0.065" 1.65 mm	C70304 1507	C70316L 1507
1-1/2"x1"	1.500" 38.1 mm	1.000" 25.4 mm	3.000" 76.2 mm	0.065" 1.65 mm	C70304 1510	C70316L 1510
2" x 1/2"	2.000" 50.8 mm	0.500" 12.7 mm	5.500" 139.7 mm	0.065" 1.65 mm	C70304 2005	C70316L 2005
2" x 3/4"	2.000" 50.8 mm	0.750" 19.05 mm	5.000" 127 mm	0.065" 1.65 mm	C70304 2007	C70316L 2007
2" x 1"	2.000" 50.8 mm	1.000" 25.4 mm	5.000" 127 mm	0.065" 1.65 mm	C70304 2010	C70316L 2010
2" x 1-1/2"	2.000" 50.8 mm	1.500" 38.1 mm	3.000" 76.2 mm	0.065" 1.65 mm	C70304 2015	C70316L 2015
2-1/2"x1"	2.500" 63.5 mm	1.000" 25.4 mm	7.000" 177.8 mm	0.065" 1.65 mm	C70304 2510	C70316L 2510
2-1/2"x1-1/2"	2.500" 63.5 mm	1.500" 38.1 mm	5.000" 127 mm	0.065" 1.65 mm	C70304 2515	C70316L 2515
2-1/2"x2"	2.500" 63.5 mm	2.000" 50.8 mm	3.000" 76.2 mm	0.065" 1.65 mm	C70304 2520	C70316L 2520
3" x 1"	3.000" 76.2 mm	1.000" 25.4 mm	9.000" 228.6 mm	0.065" 1.65 mm	C70304 3010	C70316L 3010
3" x 1-1/2"	3.000" 76.2 mm	1.500" 38.1 mm	7.000" 177.8 mm	0.065" 1.65 mm	C70304 3015	C70316L 3015
3" x 2"	3.000" 76.2 mm	2.000" 50.8 mm	5.000" 127 mm	0.065" 1.65 mm	C70304 3020	C70316L 3020
3" x 2-1/2"	3.000" 76.2 mm	2.500" 63.5 mm	3.000" 76.2 mm	0.065" 1.65 mm	C70304 3015	C70316L 3025
4" x 1"	4.000" 101.6 mm	1.000" 25.4 mm	13.125" 333.375 mm	0.083" 2.108 mm	C70304 4010	C70316L 4010
4" x 1-1/2"	4.000" 101.6 mm	1.500" 38.1 mm	11.125" 282.575 mm	0.083" 2.108 mm	C70304 4015	C70316L 4015
4" x 2"	4.000" 101.6 mm	2.000" 50.8 mm	9.125" 231.775 mm	0.083" 2.108 mm	C70304 4020	C70316L 4020
4" x 2-1/2"	4.000" 101.6 mm	2.500" 63.5 mm	7.125" 180.975 mm	0.083" 2.108 mm	C70304 4025	C70316L 4025
4" x 3"	4.000" 101.6 mm	3.000" 76.2 mm	5.125" 130.175 mm	0.083" 2.108 mm	C70304 4030	C70316L 4030
6" x 3"	6.000" 152.4 mm	3.000" 76.2 mm	7.500" 190.5 mm	0.109" 2.768 mm	C70304 6030	C70316L 6030
6" x 4"	6.000" 152.4 mm	4.000" 101.6 mm	7.625" 193.675 mm	0.109" 2.768 mm	C70304 6040	C70316L 6040