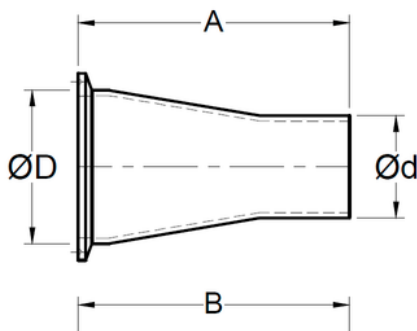


Conexiones Soldables x Clamp

Tee Reducción BPE, centro corto extremos AWF
x AWF x Férula clamp
Hygienic clamp joint: Tube Weld Concentric reducer



CODIGO	SIZE	ØD	Ød	A
A27 07x05	3/4" x 1/2"	0.750" 19.05 mm	0.500" 12.7 mm	3.000" 76.2 mm
A27 10x05	1" x 1/2"	1.000" 25.4 mm	0.500" 12.7 mm	3.500" 88.9 mm
A27 10x07	1" x 3/4"	1.000" 25.4 mm	0.750" 19.05 mm	3.000" 76.2 mm
A27 15x05	1-1/2" x 1/2"	1.500" 38.1 mm	0.500" 12.7 mm	4.500" 114.3 mm
A27 15x07	1-1/2" x 3/4"	1.500" 38.1 mm	0.750" 19.05 mm	4.000" 101.6 mm
A27 15x10	1-1/2" x 1"	1.500" 38.1 mm	1.000" 25.4 mm	4.000" 101.6 mm
A27 20x05	2" x 1/2"	2.000" 50.8 mm	0.500" 12.7 mm	6.500" 165.1 mm
A27 20x07	2" x 3/4"	2.000" 50.8 mm	0.750" 19.05 mm	6.000" 152.4 mm
A27 20x10	2" x 1"	2.000" 50.8 mm	1.000" 25.4 mm	6.000" 152.4 mm
A27 20x15	2" x 1-1/2"	2.000" 50.8 mm	1.500" 38.1 mm	4.000" 101.6 mm
A27 25x05	2-1/2" x 1/2"	2.500" 63.5 mm	0.500" 12.7 mm	8.500" 215.9 mm
A27 25x07	2-1/2" x 3/4"	2.500" 63.5 mm	0.750" 19.05 mm	8.000" 203.2 mm
A27 25x10	2-1/2" x 1"	2.500" 63.5 mm	1.000" 25.4 mm	8.000" 203.2 mm
A27 25x15	2-1/2" x 1-1/2"	2.500" 63.5 mm	1.500" 38.1 mm	6.000" 152.4 mm
A27 30x15	3" x 1-1/2"	3.000" 76.2 mm	1.500" 38.1 mm	8.000" 203.2 mm
A27 30x20	3" x 2"	3.000" 76.2 mm	2.000" 50.8 mm	6.250" 158.75 mm
A27 30x25	3" x 2-1/2"	3.000" 76.2 mm	2.500" 63.5 mm	4.250" 107.95 mm
A27 40x15	4" x 1-1/2"	4.000" 76.2 mm	1.500" 38.1 mm	12.125" 307.975 mm
A27 40x20	4" x 2"	4.000" 76.2 mm	2.000" 50.8 mm	10.375" 263.525 mm
A27 40x25	4" x 2-1/2"	4.000" 76.2 mm	2.500" 63.5 mm	8.375" 212.725 mm
A27 40x30	4" x 3"	4.000" 76.2 mm	3.000" 76.2 mm	6.375" 161.925 mm
A27 60x30	6" x 3"	6.000" 152.4 mm	3.000" 76.2 mm	9.000" 228.6 mm
A27 60x40	6" x 4"	6.000" 152.4 mm	4.000" 76.2 mm	9.000" 228.6 mm