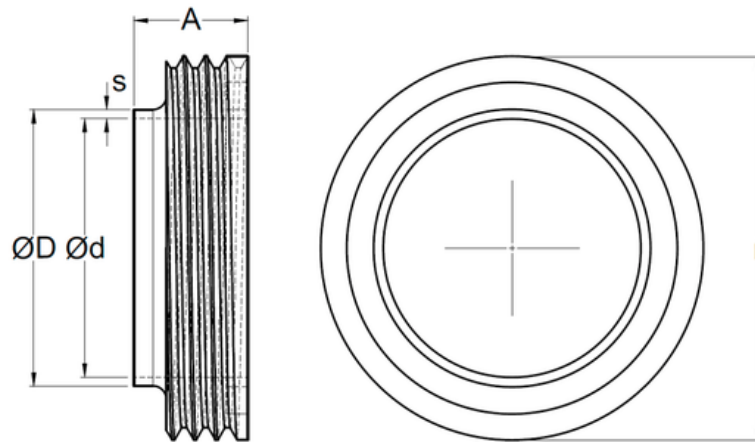


## Férula roscada macho, soldable para SMS



| SIZE   | ØD                 | Ød                  | s                 | A                  | r              | # Parte /<br>Ac. Inox 304 | # Parte /<br>Ac. Inox 316L |
|--------|--------------------|---------------------|-------------------|--------------------|----------------|---------------------------|----------------------------|
| 1"     | 1.000"<br>25.4 mm  | 0.870"<br>22.098 mm | 0.065"<br>1.65 mm | 0.591"<br>5.00 mm  | RD<br>40x1/6"  | D05304 25                 | D05316L 25                 |
| 1-1/2" | 1.500"<br>38.1 mm  | 1.370"<br>34.798 mm | 0.065"<br>1.65 mm | 0.787"<br>20.0 mm  | RD<br>60x1/6"  | D05304 40                 | D05316L 40                 |
| 2"     | 2.000"<br>50.8 mm  | 1.870"<br>47.498 mm | 0.065"<br>1.65 mm | 0.787"<br>20.0 mm  | RD<br>70x1/6"  | D05304 50                 | D05316L 50                 |
| 2-1/2" | 2.500"<br>63.5 mm  | 2.370"<br>60.198 mm | 0.065"<br>1.65 mm | 0.945"<br>24.00 mm | RD<br>85x1/6"  | D05304 65                 | D05316L 65                 |
| 3"     | 3.000"<br>76.2 mm  | 2.870"<br>72.898 mm | 0.065"<br>1.65 mm | 0.945"<br>24.00 mm | RD<br>98x1/6"  | D05304 80                 | D05316L 80                 |
| 4"     | 4.000"<br>101.6 mm | 3.834"<br>97.383 mm | 0.083"<br>2.11 mm | 0.984"<br>25.00 mm | RD<br>125x1/6" | D05304 100                | D05316L 100                |