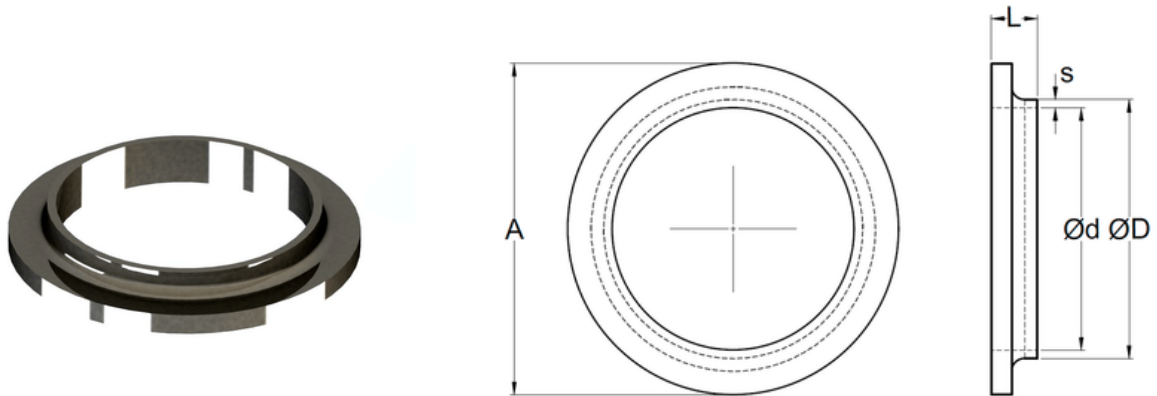


Férula lisa soldable SMS



SIZE	ØD	Ød	s	A	L	# Parte / Ac. Inox 304	# Parte / Ac. Inox 316L
1"	1.000" 25.4 mm	0.870" 22.098 mm	0.065" 1.65 mm	1.398" 35.5 mm	0.315" 8.001 mm	D04304 25	D04316L 25
1-1/2"	1.500" 38.1 mm	1.370" 34.798 mm	0.065" 1.65 mm	2.165" 55.0 mm	0.354" 9.0 mm	D04304 40	D04316L 40
2"	2.000" 50.8 mm	1.870" 47.498 mm	0.065" 1.65 mm	2.559" 65.0 mm	0.354" 9.0 mm	D04304 50	D04316L 50
2-1/2"	2.500" 63.5 mm	2.370" 60.198 mm	0.065" 1.65 mm	3.150" 80.0 mm	0.354" 9.0 mm	D04304 65	D04316L 65
3"	3.000" 76.2 mm	2.870" 72.898 mm	0.065" 1.65 mm	3.661" 93.0 mm	0.394" 10.007 mm	D04304 80	D04316L 80
4"	4.000" 101.6 mm	3.834" 97.383 mm	0.083" 2.11 mm	4.764" 121.0 mm	0.472" 11.988 mm	D04304 100	D04316L 100