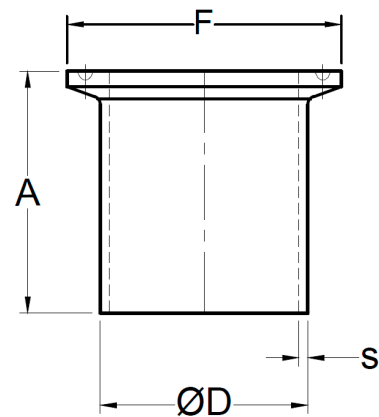


# Conexiones Soldables x Clamp

Férula clamp BPE, extremos AWF x férula clamp  
*Automatic tube Weld: Ferrule*



CODIGO	SIZE	ØD	A	F	s
A23 05	1/2"	0.500" 12.7 mm	1.750" 44.45 mm	0.984" 24.99 mm	0.065" 1.65 mm
A23 07	3/4"	0.750" 19.05 mm	1.750" 44.45 mm	0.984" 24.99 mm	0.065" 1.65 mm
A23 10	1"	1.000" 25.4 mm	1.750" 44.45 mm	1.984" 50.39 mm	0.065" 1.65 mm
A23 15	1-1/2"	1.500" 38.1 mm	1.750" 44.45 mm	1.984" 50.39 mm	0.065" 1.65 mm
A23 20	2"	2.000" 50.8 mm	2.250" 57.15 mm	2.516" 63.9 mm	0.065" 1.65 mm
A23 25	2-1/2"	2.500" 63.5 mm	2.250" 57.15 mm	3.047" 77.393 mm	0.065" 1.65 mm
A23 30	3"	3.000" 76.2 mm	2.250" 57.15 mm	3.579" 90.906 mm	0.065" 1.65 mm
A23 40	4"	4.000" 101.6 mm	2.250" 57.15 mm	4.682" 118.922 mm	0.083" 2.108 mm
A23 60	6"	6.000" 152.4 mm	3.000" 76.2 mm	6.570" 166.878 mm	0.109" 2.768 mm