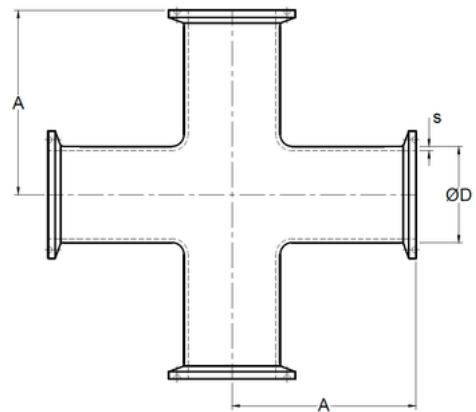


Cruz recta BPE, extremos ferulados clamp *Hygienic clamp joint: Straight Cross*



CODIGO	SIZE	ØD	A	s
A12 05	1/2"	0.500" 12.7 mm	2.250" 57.15 mm	0.065" 1.65 mm
A12 07	3/4"	0.750" 19.05 mm	2.375" 60.325 mm	0.065" 1.65 mm
A12 10	1"	1.000" 25.4 mm	2.625" 66.675 mm	0.065" 1.65 mm
A12 15	1-1/2"	1.500" 38.1 mm	2.875" 73.025 mm	0.065" 1.65 mm
A12 20	2"	2.000" 50.8 mm	3.375" 85.725 mm	0.065" 1.65 mm
A12 25	2-1/2"	2.500" 63.5 mm	3.625" 92.075 mm	0.065" 1.65 mm
A12 30	3"	3.000" 76.2 mm	3.875" 98.425 mm	0.065" 1.65 mm
A12 40	4"	4.000" 101.6 mm	4.750" 120.65 mm	0.083" 2.108 mm
A12 60	6"	6.000" 152.4 mm	7.125" 180.975 mm	0.109" 2.768 mm