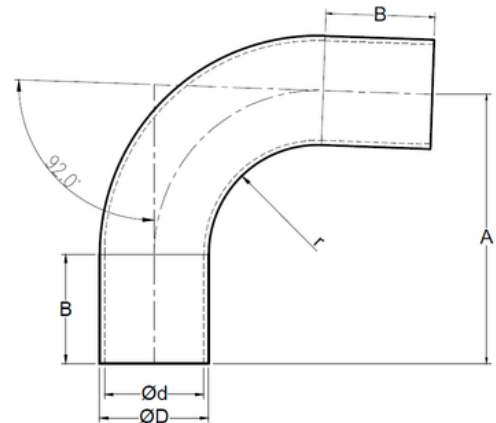


# Conexiones Soldables x Clamp

Codo de 92° BPE, extremos soldables AWF



CODIGO	SIZE	ØD	Ød	r	A	B
A31 05	1/2"	0.500" 12.7 mm	0.370" 9.398 mm	1.125" 28.575mm	2.920" 74.168 mm	1.900" 48.26 mm
A31 07	3/4"	0.750" 19.05 mm	0.620" 15.758 mm	1.125" 28.575mm	2.930" 74.422 mm	2.030" 51.562 mm
A31 10	1"	1.000" 25.4 mm	0.870" 22.098 mm	1.125" 28.575mm	2.950" 74.93 mm	1.930" 49.022mm
A31 15	1-1/2"	1.500" 38.1 mm	1.370" 34.798 mm	2.250" 57.15 mm	2.700" 68.58 mm	1.570" 39.878 mm
A31 20	2"	2.000" 50.8 mm	1.870" 47.498 mm	3.000" 76.2 mm	4.690" 119.126 mm	1.850" 46.99 mm
A31 25	2-1/2"	2.500" 63.5 mm	2.370" 60.198 mm	3.750" 95.25 mm	5.430" 137.922 mm	1.870" 47.498 mm
A31 30	3"	3.000" 76.2 mm	2.870" 72.898 mm	4.500" 114.3 mm	6.180" 156.972 mm	1.890" 48.0 mm
A31 40	4"	4.000" 101.6 mm	3.834" 97.383 mm	6.000" 152.4 mm	7.920" 201.168 mm	2.190" 55.626 mm