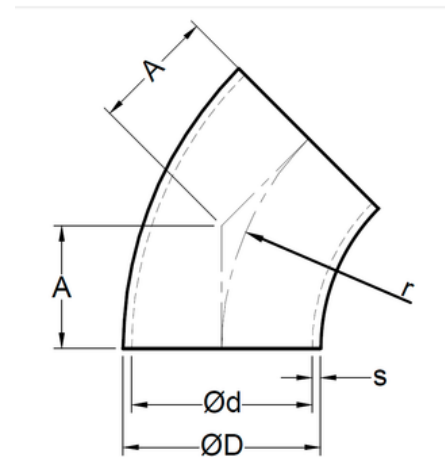
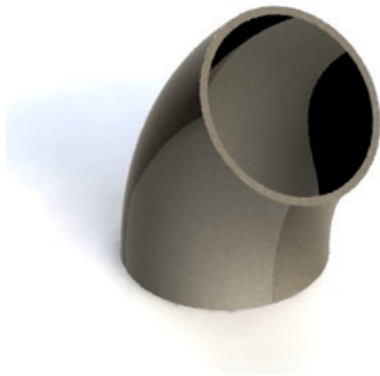


## Codo de 45° 3A 45° Elbow



SIZE	ØD	Ød	A	r	s	# Parte / Ac. Inox 304	# Parte / Ac. Inox 316L
1/2"	0.500" 12.7 mm	0.370" 9.398 mm	0.313" 7.95 mm	0.750" 19.05 mm	0.065" 1.65 mm	C01304 05	C01316L 05
3/4"	0.750" 19.05 mm	0.620" 15.758 mm	0.469" 11.90 mm	1.125" 28.575 mm	0.065" 1.65 mm	C01304 07	C01316L 07
1"	1.000" 25.4 mm	0.870" 22.098 mm	0.625" 15.875 mm	1.500" 38.1 mm	0.065" 1.65 mm	C01304 10	C01316L 10
1-1/2"	1.500" 38.1 mm	1.370" 34.798 mm	0.934" 23.72 mm	2.250" 57.15 mm	0.065" 1.65 mm	C01304 15	C01316L 15
2"	2.000" 50.8 mm	1.870" 47.498 mm	1.250" 31.75 mm	3.000" 76.2 mm	0.065" 1.65 mm	C01304 20	C01316L 20
2-1/2"	2.500" 63.5 mm	2.370" 60.198 mm	1.563" 39.7 mm	3.750" 95.25 mm	0.065" 1.65 mm	C01304 25	C01316L 25
3"	3.000" 76.2 mm	2.870" 72.898 mm	1.865" 47.37 mm	4.500" 114.3 mm	0.065" 1.65 mm	C01304 30	C01316L 30
4"	4.000" 101.6 mm	3.834" 97.383 mm	2.500" 63.5 mm	6.000" 152.4 mm	0.083" 2.108 mm	C01304 40	C01316L40
6"	6.000" 152.4 mm	5.782" 146.862 mm	3.752" 95.3 mm	9.000" 228.6 mm	0.109" 2.768 mm	C01304 60	C01316L 60