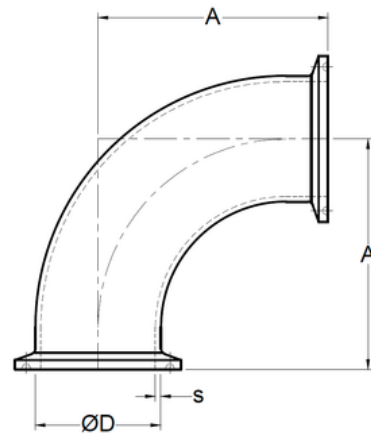


Codo 90° BPE, extremos ferulados clamp *Hygienic clamp joint: 90° elbow*



CODIGO	SIZE	ØD	A	s
A09 05	1/2"	0.500" 12.7 mm	1.625" 41.275 mm	0.065" 1.65 mm
A09 07	3/4"	0.750" 19.05 mm	1.625" 41.275 mm	0.065" 1.65 mm
A09 10	1"	1.000" 25.4 mm	2.000" 50.8 mm	0.065" 1.65 mm
A09 15	1-1/2"	1.500" 38.1 mm	2.750" 69.85 mm	0.065" 1.65 mm
A09 20	2"	2.000" 50.8 mm	3.500" 88.9 mm	0.065" 1.65 mm
A09 25	2-1/2"	2.500" 63.5 mm	4.250" 107.95 mm	0.065" 1.65 mm
A09 30	3"	3.000" 76.2 mm	5.000" 127 mm	0.065" 1.65 mm
A09 40	4"	4.000" 101.6 mm	6.625" 168.275 mm	0.083" 2.108 mm
A09 60	6"	6.000" 152.4 mm	10.500" 266.7 mm	0.109" 2.768 mm