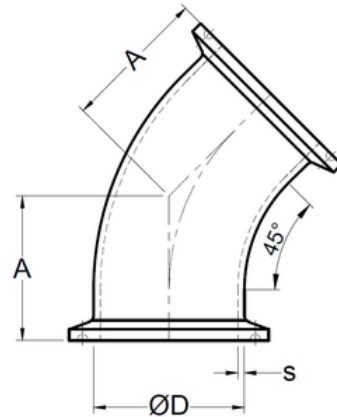


Codo 45° BPE, extremos ferulados clamp *Hygienic clamp joint: 45° elbow*



CODIGO	SIZE	ØD	A	s
A10 05	1/2"	0.500" 12.7 mm	1.000" 25.4 mm	0.065" 1.65 mm
A10 07	3/4"	0.750" 19.05 mm	1.000" 25.4 mm	0.065" 1.65 mm
A10 10	1"	1.000" 25.4 mm	1.125" 28.575 mm	0.065" 1.65 mm
A10 15	1-1/2"	1.500" 38.1 mm	1.438" 36.52 mm	0.065" 1.65 mm
A10 20	2"	2.000" 50.8 mm	1.750" 44.45 mm	0.065" 1.65 mm
A10 25	2-1/2"	2.500" 63.5 mm	2.063" 52.4 mm	0.065" 1.65 mm
A10 30	3"	3.000" 76.2 mm	2.375" 60.325 mm	0.065" 1.65 mm
A10 40	4"	4.000" 101.6 mm	3.125" 79.375 mm	0.083" 2.108 mm
A10 60	6"	6.000" 152.4 mm	5.250" 133.35 mm	0.109" 2.768 mm