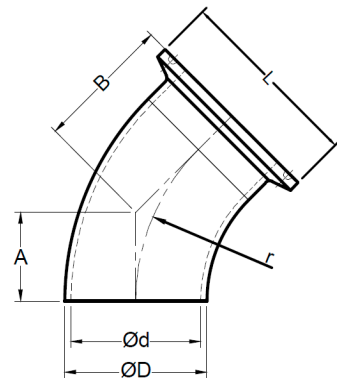


## Codo 45°, extremos clamp x soldable *3A 45° Elbow Ferrule - Weld*



SIZE	ØD	Ød	L	r	A	B	# Parte / Ac. Inox 304	# Parte / Ac. Inox 316L
1/2"	0.500" 12.7 mm	0.370" 9.398 mm	0.984" 24.99 mm	0.750" 19.05 mm	0.313" 7.95 mm	1.000" 25.4 mm	C59304 05	C59316L 05
3/4"	0.750" 19.05 mm	0.620" 15.758 mm	0.984" 24.99 mm	1.125" 28.575 mm	0.469" 11.90 mm	1.000" 25.4 mm	C59304 07	C59316L 07
1"	1.000" 25.4 mm	0.870" 22.098 mm	1.984" 50.393 mm	1.500" 38.1 mm	0.625" 15.875 mm	1.125" 28.575 mm	C59304 10	C59316L 10
1-1/2"	1.500" 38.1 mm	1.370" 34.798 mm	1.984" 50.393 mm	2.250" 57.15 mm	0.934" 23.72 mm	1.440" 35.576 mm	C59304 15	C59316L 15
2"	2.000" 50.8 mm	1.870" 47.498 mm	2.516" 63.9 mm	3.000" 76.2 mm	1.250" 31.75 mm	1.750" 44.45 mm	C59304 20	C59316L 20
2-1/2"	2.500" 63.5 mm	2.370" 60.198 mm	3.047" 77.393 mm	3.750" 95.25 mm	1.563" 39.7 mm	2.060" 52.324 mm	C59304 25	C59316L 25
3"	3.000" 76.2 mm	2.870" 72.898 mm	3.579" 90.9 mm	4.500" 114.3 mm	1.865" 47.37 mm	2.380" 60.452 mm	C59304 30	C59316L 30
4"	4.000" 101.6 mm	3.834" 97.383 mm	4.682" 118.922 mm	6.000" 152.4 mm	2.500" 63.5 mm	3.125" 79.375 mm	C59304 40	C59316L 40
6"	6.000" 152.4 mm	5.782" 146.862 mm	6.570" 166.878 mm	9.000" 228.6 mm	3.752" 95.3 mm	5.250" 133.35 mm	C59304 60	C59316L 60