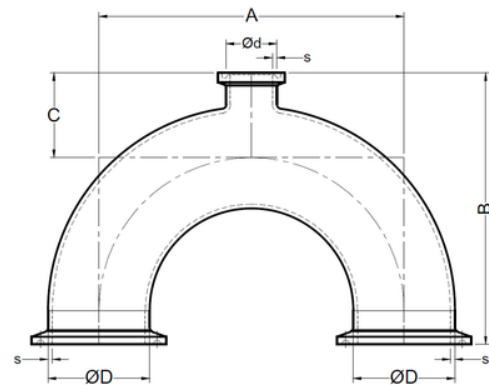


## Codo 180° tipo Punto de Uso, extremos ferulados 3A 180° Tees Type U



SIZE	ØD	Ød	A	B	C	s	# Parte / Ac. Inox 304	# Parte / Ac. Inox 316L
1"x1/2"	1.000" 25.4 mm	0.500" 12.7 mm	3.000" 76.2 mm	3.000" 76.2 mm	1.000" 25.4 mm	0.065" 1.65 mm	C67304 1005	C67316L 1005
1"x3/4"	1.000" 25.4 mm	0.750" 19.05 mm	3.000" 76.2 mm	3.000" 76.2 mm	1.000" 25.4 mm	0.065" 1.65 mm	C67304 1007	C67316L 1007
1"x 1"	1.000" 25.4 mm	1.000" 25.4 mm	3.000" 76.2 mm	3.000" 76.2 mm	1.000" 25.4 mm	0.065" 1.65 mm	C67304 1010	C67316L 1010
1-1/2"x1/2"	1.500" 38.1 mm	0.500" 12.7 mm	4.500" 114.3 mm	4.000" 101.6 mm	1.250" 31.75 mm	0.065" 1.65 mm	C67304 1505	C67316L 1505
1-1/2"x3/4"	1.500" 38.1 mm	0.750" 19.05 mm	4.500" 114.3 mm	4.000" 101.6 mm	1.250" 31.75 mm	0.065" 1.65 mm	C67304 1507	C67316L 1507
1-1/2"x1"	1.500" 38.1 mm	1.000" 25.4 mm	4.500" 114.3 mm	4.000" 101.6 mm	1.250" 31.75 mm	0.065" 1.65 mm	C67304 1510	C67316L 1510
1-1/2"x1-1/2"	1.500" 38.1 mm	1.500" 38.1 mm	4.500" 114.3 mm	4.000" 101.6 mm	1.250" 31.75 mm	0.065" 1.65 mm	C67304 1515	C67316L 1515
2" x 1/2"	2.000" 50.8 mm	0.500" 12.7 mm	6.000" 152.4 mm	5.000" 127 mm	1.500" 38.1 mm	0.065" 1.65 mm	C67304 2005	C67316L 2005
2" x 3/4"	2.000" 50.8 mm	0.750" 19.05 mm	6.000" 152.4 mm	5.000" 127 mm	1.500" 38.1 mm	0.065" 1.65 mm	C67304 2007	C67316L 2007
2" x 1"	2.000" 50.8 mm	1.000" 25.4 mm	6.000" 152.4 mm	5.000" 127 mm	1.500" 38.1 mm	0.065" 1.65 mm	C67304 2010	C67316L 2010
2" x 1-1/2"	2.000" 50.8 mm	1.500" 38.1 mm	6.000" 152.4 mm	5.000" 127 mm	1.500" 38.1 mm	0.065" 1.65 mm	C67304 2015	C67316L 2015
2-1/2"x1/2"	2.500" 63.5 mm	0.500" 12.7 mm	7.500" 190.5 mm	6.000" 152.4 mm	1.750" 44.45 mm	0.065" 1.65 mm	C67304 2505	C67316L 2505
2-1/2"x3/4"	2.500" 63.5 mm	0.750" 19.05 mm	7.500" 190.5 mm	6.000" 152.4 mm	1.750" 44.45 mm	0.065" 1.65 mm	C67304 2507	C67316L 2507
2-1/2"x1"	2.500" 63.5 mm	1.000" 25.4 mm	7.500" 190.5 mm	6.000" 152.4 mm	1.750" 44.45 mm	0.065" 1.65 mm	C67304 2510	C67316L 2510
2-1/2"x1-1/2"	2.500" 63.5 mm	1.500" 38.1 mm	7.500" 190.5 mm	6.000" 152.4 mm	1.750" 44.45 mm	0.065" 1.65 mm	C67304 2515	C67316L 2515