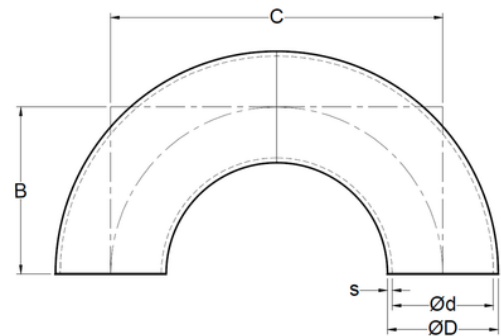
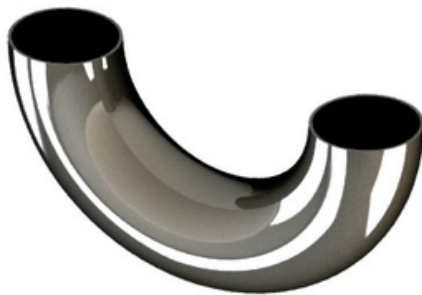


Codo 180° 3A 180° Elbow



SIZE	ØD	Ød	B	C	s	# Parte / Ac. Inox 304	# Parte / Ac. Inox 316L
1/2"	0.500" 12.7 mm	0.370" 9.398 mm	0.750" 19.05 mm	1.500" 38.1 mm	0.065" 1.65 mm	C05304 05	C05316L 05
3/4"	0.750" 19.05 mm	0.620" 15.758 mm	1.125" 28.575 mm	2.250" 57.15 mm	0.065" 1.65 mm	C05304 07	C05316L 07
1"	1.000" 25.4 mm	0.870" 22.098 mm	1.500" 38.1 mm	3.000" 76.2 mm	0.065" 1.65 mm	C05304 10	C05316L 10
1-1/2"	1.500" 38.1 mm	1.370" 34.798 mm	2.250" 57.15 mm	4.500" 114.3 mm	0.065" 1.65 mm	C05304 15	C05316L 15
2"	2.000" 50.8 mm	1.870" 47.498 mm	3.000" 76.2 mm	6.000" 152.4 mm	0.065" 1.65 mm	C05304 20	C05316L 20
2-1/2"	2.500" 63.5 mm	2.370" 60.198 mm	3.750" 95.25 mm	7.500" 190.5 mm	0.065" 1.65 mm	C05304 25	C05316L 25
3"	3.000" 76.2 mm	2.870" 72.898 mm	4.500" 114.3 mm	9.000" 228.6 mm	0.065" 1.65 mm	C05304 30	C05316L 30
4"	4.000" 101.6 mm	3.834" 97.383 mm	6.000" 152.4 mm	12.000" 304.8 mm	0.083" 2.108 mm	C05304 40	C05316L 40