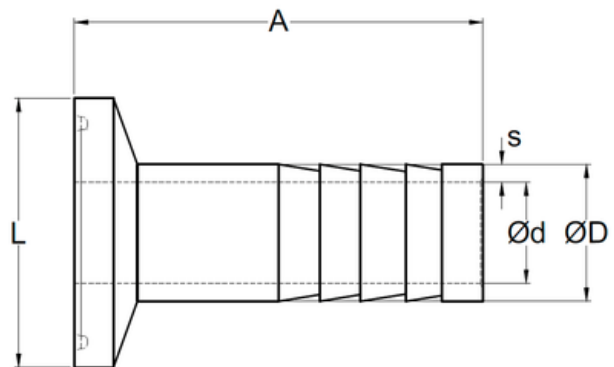


## Adaptador Férula clamp x espiga para manguera, uso ligero *Hose nozzle Stainless steel*



SIZE	ØD	Ød	L	A	S	# Parte / Ac. Inox 304	# Parte / Ac. Inox 316L
1/2"	0.500" 12.7 mm	0.370" 9.398 mm	0.984" 24.99 mm	1.500" 38.1 mm	0.065" 1.65 mm	D03304 15	D03316L 15
3/4"	0.750" 19.05 mm	0.620" 15.758 mm	0.984" 24.99 mm	1.500" 38.1 mm	0.065" 1.65 mm	D03304 20	D03316L 20
1"	1.000" 25.4 mm	0.870" 22.098 mm	1.984" 50.393 mm	1.750" 44.45 mm	0.065" 1.65 mm	D03304 25	D03316L 25
1-1/2"	1.500" 38.1 mm	1.370" 34.798 mm	1.984" 50.393 mm	1.750" 44.45 mm	0.065" 1.65 mm	D03304 40	D03316L 40
2"	2.000" 50.8 mm	1.870" 47.498 mm	2.516" 63.9 mm	2.500" 63.5 mm	0.065" 1.65 mm	D03304 50	D03316L 50
2-1/2"	2.500" 63.5 mm	2.370" 60.198 mm	3.047" 77.393 mm	2.500" 63.5 mm	0.065" 1.65 mm	D03304 65	D03316L 65
3"	3.000" 76.2 mm	2.870" 72.898 mm	3.579" 90.9 mm	3.000" 76.2 mm	0.065" 1.65 mm	D03304 80	D03316L 80