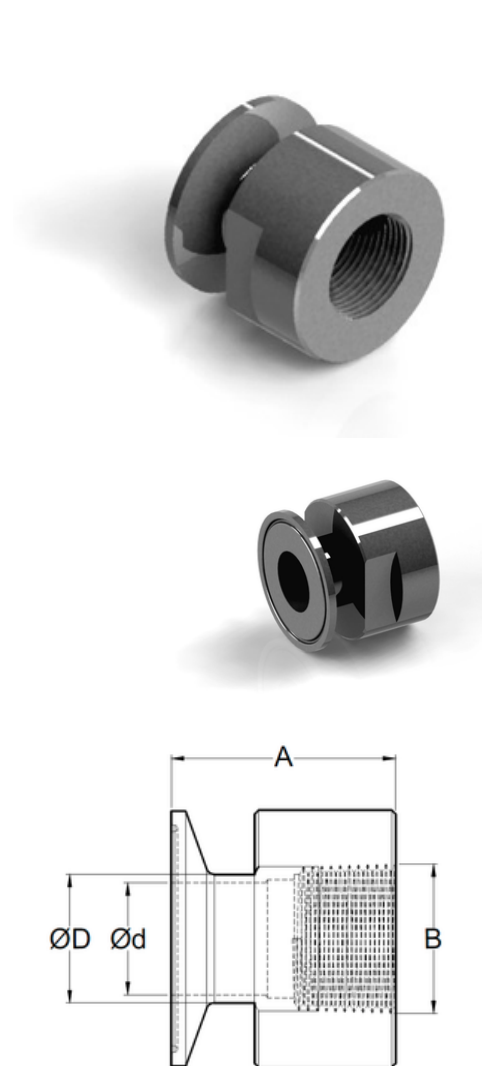


Adaptador Férula clamp x Rosca NPT hembra *Pipe Thread; Non 3A*



SIZE	ØD	Ød	A	B	# Parte / Ac. Inox 304	# Parte / Ac. Inox 316L
1/2"x1/2"	0.500" 12.7 mm	0.370" 9.398 mm	2.000" 50.8 mm	0.840" 21.336 mm	D02304 0505	D02316L 0505
1/2"x3/4"	0.500" 12.7 mm	0.370" 9.398 mm	1.625" 41.275 mm	1.050" 26.67 mm	D02304 0507	D02316L 0507
3/4"x1/2"	0.750" 19.05 mm	0.620" 15.758 mm	2.125" 53.975 mm	0.840" 21.336 mm	D02304 0705	D02316L 0705
3/4"x3/4"	0.750" 19.05 mm	0.620" 15.758 mm	2.125" 53.975 mm	1.050" 26.67 mm	D02304 0707	D02316L 0707
3/4"x1"	0.750" 19.05 mm	0.620" 15.758 mm	1.810" 45.974 mm	1.315" 33.401 mm	D02304 0710	D02316L 0710
1"x1/2"	1.000" 25.4 mm	0.870" 22.098 mm	1.625" 41.275 mm	0.840" 21.336 mm	D02304 1005	D02316L 1005
1"x3/4"	1.000" 25.4 mm	0.870" 22.098 mm	1.625" 41.275 mm	1.050" 26.67 mm	D02304 1007	D02316L 1007
1"x1"	1.000" 25.4 mm	0.870" 22.098 mm	1.625" 41.275 mm	1.315" 33.401 mm	D02304 1010	D02316L 1010
1"x1-1/2"	1.000" 25.4 mm	0.870" 22.098 mm	2.125" 53.975 mm	1.900" 48.26 mm	D02304 1015	D02316L 1015
1-1/2"x1/2"	1.500" 38.1 mm	1.370" 34.798 mm	1.625" 41.275 mm	0.840" 21.336 mm	D02304 1505	D02316L 1505
1-1/2"x3/4"	1.500" 38.1 mm	1.370" 34.798 mm	1.625" 41.275 mm	1.050" 26.67 mm	D02304 1507	D02316L 1507
1-1/2"x1"	1.500" 38.1 mm	1.370" 34.798 mm	1.625" 41.275 mm	1.315" 33.401 mm	D02304 1510	D02316L 1510
1-1/2"x1-1/2"	1.500" 38.1 mm	1.370" 34.798 mm	2.250" 57.15 mm	1.900" 48.26 mm	D02304 1515	D02316L 1515
1-1/2"x2"	1.500" 38.1 mm	1.370" 34.798 mm	2.250" 57.15 mm	2.375" 60.325 mm	D02304 1520	D02316L 1520
2" x 1/2"	2.000" 50.8 mm	1.870" 47.498 mm	2.000" 50.8 mm	0.840" 21.336 mm	D02304 2005	D02316L 2005
2" x 3/4"	2.000" 50.8 mm	1.870" 47.498 mm	2.125" 53.975 mm	1.050" 26.67 mm	D02304 2007	D02316L 2007
2" x 1"	2.000" 50.8 mm	1.870" 47.498 mm	2.125" 53.975 mm	1.315" 33.401 mm	D02304 2010	D02316L 2010
2" x 1-1/2"	2.000" 50.8 mm	1.870" 47.498 mm	2.125" 53.975 mm	1.900" 48.26 mm	D02304 2015	D02316L 2015
2" x 2"	2.000" 50.8 mm	1.870" 47.498 mm	2.340" 59.436 mm	2.375" 60.325 mm	D02304 2020	D02316L 2020
2-1/2"x1-1/2"	2.500" 63.5 mm	2.370" 60.198 mm	2.250" 57.15 mm	1.900" 48.26 mm	D02304 2525	D02316L 2525
2-1/2"x2"	2.500" 63.5 mm	2.370" 60.198 mm	2.340" 59.436 mm	2.375" 60.325 mm	D02304 2520	D02316L 2520
2-1/2"x2-1/2"	2.500" 63.5 mm	2.370" 60.198 mm	2.620" 66.548 mm	2.875" 73.025 mm	D02304 2525	D02316L 2525
3" x 2"	3.000" 76.2 mm	2.870" 72.898 mm	2.340" 59.436 mm	2.375" 60.325 mm	D02304 3020	D02316L 3020
3" x 2-1/2"	3.000" 76.2 mm	2.870" 72.898 mm	2.500" 63.5 mm	2.875" 73.025 mm	D02304 3025	D02316L 3025
3" x 3"	3.000" 76.2 mm	2.870" 72.898 mm	2.880" 73.152 mm	3.500" 88.9 mm	D02304 3030	D02316L 3030
4" x 3"	4.000" 101.6 mm	3.834" 97.383 mm	3.000" 76.2 mm	3.500" 88.9 mm	D02304 4030	D02316L 4030
4" x 4"	4.000" 101.6 mm	3.834" 97.383 mm	3.000" 76.2 mm	4.500" 114.3 mm	D02304 4040	D02316L 4040