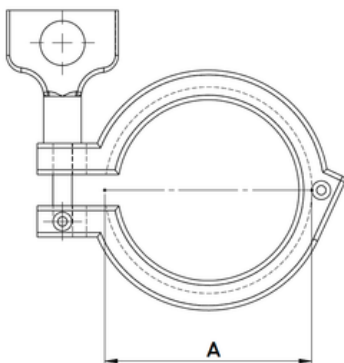
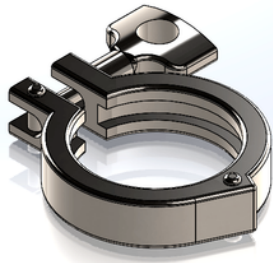


Abrazaderas Clamp

Abrazadera Clamp de 2 piezas, 1 solo perno
Heavy Duty Clamps



SIZE	A	# Parte / Ac. Inox 304
1/2"	1.125" 28.575 mm	C76304 05
3/4"	1.125" 28.575 mm	C76304 07
1"	2.125" 53.9 mm	C76304 10
1-1/2"	2.125" 53.9 mm	C76304 15
2"	2.650" 67.4 mm	C76304 20
2-1/2"	3.185" 80.9 mm	C76304 25
3"	3.715" 94.4 mm	C76304 30
4"	4.820" 122.4 mm	C76304 40
6"	6.708" 170.4 mm	C76304 60
8"	8.708" 221.2 mm	C76304 80
10"	10.708" 272.0 mm	C76304 100