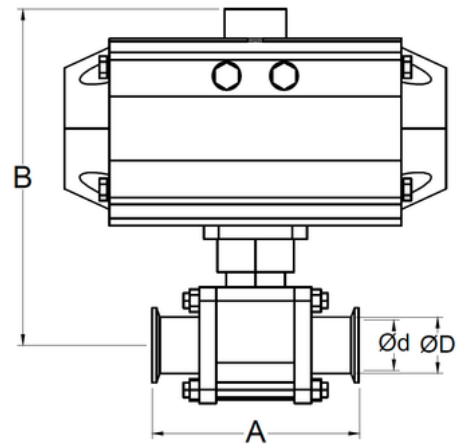


Válvulas de Bola

Válvula de bola neumática, conexión soldable, operación manual, construcción 4 bridada de tres piezas



SIZE	ØD	Ød	A	B	# Parte / Ac. Inox 304	# Parte / Ac. Inox 316L
1/2"	0.500" 12.7 mm	0.370" 9.398 mm	3.488" 88.6 mm	5.177" 131.5 mm	F04304 05	F04316L 05
3/4"	0.750" 19.05 mm	0.620" 15.758 mm	4.000" 102.7 mm	5.346" 135.8 mm	F0404 07	F04316L 07
1"	1.000" 25.4 mm	0.870" 22.098 mm	4.535" 115.2 mm	5.696" 144.7 mm	F04304 10	F04316L 10
1-1/2"	1.500" 38.1 mm	1.370" 34.798 mm	5.500" 139.9 mm	6.811" 173 mm	F04304 15	F04316L 15
2"	2.000" 50.8 mm	1.870" 47.498 mm	6.225" 158.1 mm	7.685" 195.2 mm	F04304 20	F04316L 20
2-1/2"	2.500" 63.5 mm	2.370" 60.198 mm	7.795" 198 mm	8.807" 223.7 mm	F04304 25	F04316L 25
3"	3.000" 76.2 mm	2.870" 72.898 mm	8.956" 227.5 mm	9.370" 238 mm	F04304 30	F04316L 30
4"	4.000" 101.6 mm	3.834" 97.383 mm	9.488" 241 mm	11.236" 285.4 mm	F04304 40	F04316L 40