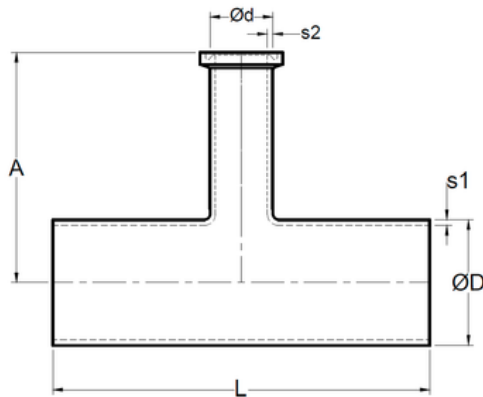
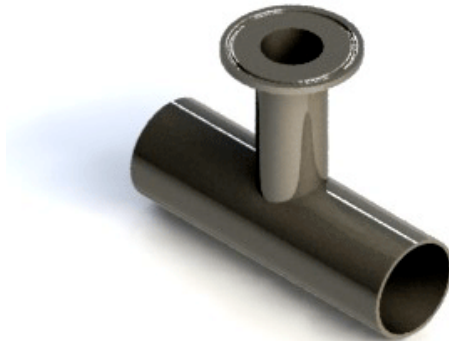


Tee reducción centro corto, extremos soldable x soldable x clamp *3A Eccentric Tees with Ferrule*



| SIZE | ØD | Ød | L | s1 | A | s2 | # Parte / Ac. Inox 304 | # Parte / Ac. Inox 316L |
|---------------|--------------------|--------------------|---------------------|--------------------|---------------------|--------------------|---------------------------|----------------------------|
| 3/4"x1/2" | 0.750" 19.05 mm | 0.500" 12.7 mm | 4.000" 101.6 mm | 0.065" 1.65 mm | 2.625" 66.675 mm | 0.065" 1.65 mm | C64304 0705 | C64316L 0705 |
| 1"x1/2" | 1.000" 25.4 mm | 0.500" 12.7 mm | 4.250" 107.95 mm | 0.065" 1.65 mm | 2.500" 63.5 mm | 0.065" 1.65 mm | C64304 1005 | C64316L 1005 |
| 1"x3/4" | 1.000" 25.4 mm | 0.750" 19.05 mm | 4.250" 107.95 mm | 0.065" 1.65 mm | 2.500" 63.5 mm | 0.065" 1.65 mm | C64304 1007 | C64316L 1007 |
| 1-1/2"x1/2" | 1.500" 38.1 mm | 0.500" 12.7 mm | 4.750" 120.65 mm | 0.065" 1.65 mm | 2.750" 69.85 mm | 0.065" 1.65 mm | C64304 1505 | C64316L 1505 |
| 1-1/2"x3/4" | 1.500" 38.1 mm | 0.750" 19.05 mm | 4.750" 120.65 mm | 0.065" 1.65 mm | 2.750" 69.85 mm | 0.065" 1.65 mm | C64304 1507 | C64316L 1507 |
| 1-1/2"x1" | 1.500" 38.1 mm | 1.000" 25.4 mm | 4.750" 120.65 mm | 0.065" 1.65 mm | 2.625" 66.675 mm | 0.065" 1.65 mm | C64304 1510 | C64316L 1510 |
| 2" x 1/2" | 2.000" 50.8 mm | 0.500" 12.7 mm | 5.750" 146.05 mm | 0.065" 1.65 mm | 2.875" 73.025 mm | 0.065" 1.65 mm | C64304 2005 | C64316L 2005 |
| 2" x 3/4" | 2.000" 50.8 mm | 0.750" 19.05 mm | 5.750" 146.05 mm | 0.065" 1.65 mm | 2.875" 73.025 mm | 0.065" 1.65 mm | C64304 2007 | C64316L 2007 |
| 2" x 1" | 2.000" 50.8 mm | 1.000" 25.4 mm | 5.750" 146.05 mm | 0.065" 1.65 mm | 2.875" 73.025 mm | 0.065" 1.65 mm | C64304 2010 | C64316L 2010 |
| 2" x 1-1/2" | 2.000" 50.8 mm | 1.500" 38.1 mm | 5.750" 146.05 mm | 0.065" 1.65 mm | 3.000" 76.2 mm | 0.065" 1.65 mm | C64304 2015 | C64316L 2015 |
| 2-1/2"x1/2" | 2.500" 63.5 mm | 0.500" 12.7 mm | 6.250" 158.75 mm | 0.065" 1.65 mm | 3.375" 85.725 mm | 0.065" 1.65 mm | C64304 2505 | C64316L 2505 |
| 2-1/2"x3/4" | 2.500" 63.5 mm | 0.750" 19.05 mm | 6.250" 158.75 mm | 0.065" 1.65 mm | 3.375" 85.725 mm | 0.065" 1.65 mm | C64304 2507 | C64316L 2507 |
| 2-1/2"x1" | 2.500" 63.5 mm | 1.000" 25.4 mm | 6.250" 158.75 mm | 0.065" 1.65 mm | 3.375" 85.725 mm | 0.065" 1.65 mm | C64304 2510 | C64316L 2510 |
| 2-1/2"x1-1/2" | 2.500" 63.5 mm | 1.500" 38.1 mm | 6.250" 158.75 mm | 0.065" 1.65 mm | 3.250" 82.55 mm | 0.065" 1.65 mm | C64304 2515 | C64316L 2515 |
| 2-1/2"x2" | 2.500" 63.5 mm | 2.000" 50.8 mm | 6.250" 158.75 mm | 0.065" 1.65 mm | 3.750" 95.25 mm | 0.065" 1.65 mm | C64304 2520 | C64316L 2520 |
| 3" x 1/2" | 3.000" 76.2 mm | 0.500" 12.7 mm | 6.750" 171.45 mm | 0.065" 1.65 mm | 3.500" 88.9 mm | 0.065" 1.65 mm | C64304 3005 | C64316L 3005 |
| 3" x 3/4" | 3.000" 76.2 mm | 0.750" 19.05 mm | 6.750" 171.45 mm | 0.065" 1.65 mm | 3.500" 88.9 mm | 0.065" 1.65 mm | C64304 3007 | C64316L 3007 |
| 3" x 1" | 3.000" 76.2 mm | 1.000" 25.4 mm | 6.750" 171.45 mm | 0.065" 1.65 mm | 3.500" 88.9 mm | 0.065" 1.65 mm | C64304 3010 | C64316L 3010 |
| 3" x 1-1/2" | 3.000" 76.2 mm | 1.500" 38.1 mm | 6.750" 171.45 mm | 0.065" 1.65 mm | 3.500" 88.9 mm | 0.065" 1.65 mm | C64304 3015 | C64316L 3015 |
| 3" x 2" | 3.000" 76.2 mm | 2.000" 50.8 mm | 6.750" 171.45 mm | 0.065" 1.65 mm | 4.000" 101.6 mm | 0.065" 1.65 mm | C64304 3020 | C64316L 3020 |
| 3" x 2-1/2" | 3.000" 76.2 mm | 2.500" 63.5 mm | 6.750" 171.45 mm | 0.065" 1.65 mm | 3.750" 95.25 mm | 0.065" 1.65 mm | C64304 3025 | C64316L 3025 |
| 4" x 1/2" | 4.000" 101.6 mm | 0.500" 12.7 mm | 7.750" 196.85 mm | 0.083" 2.108 mm | 4.500" 114.3 mm | 0.065" 1.65 mm | C64304 4005 | C64316L 4005 |
| 4" x 3/4" | 4.000" 101.6 mm | 0.750" 19.05 mm | 7.750" 196.85 mm | 0.083" 2.108 mm | 4.500" 114.3 mm | 0.065" 1.65 mm | C64304 4007 | C64316L 4007 |
| 4" x 1" | 4.000" 101.6 mm | 1.000" 25.4 mm | 7.750" 196.85 mm | 0.083" 2.108 mm | 4.500" 114.3 mm | 0.065" 1.65 mm | C64304 4010 | C64316L 4010 |
| 4" x 1-1/2" | 4.000" 101.6 mm | 1.500" 38.1 mm | 7.750" 196.85 mm | 0.083" 2.108 mm | 4.500" 114.3 mm | 0.065" 1.65 mm | C64304 4015 | C64316L 4015 |
| 4" x 2" | 4.000" 101.6 mm | 2.000" 50.8 mm | 7.750" 196.85 mm | 0.083" 2.108 mm | 4.500" 114.3 mm | 0.065" 1.65 mm | C64304 4020 | C64316L 4020 |
| 4" x 2-1/2" | 4.000" 101.6 mm | 2.500" 63.5 mm | 7.750" 196.85 mm | 0.083" 2.108 mm | 4.250" 107.95 mm | 0.065" 1.65 mm | C64304 4025 | C64316L 4025 |
| 4" x 3" | 4.000" 101.6 mm | 3.000" 76.2 mm | 7.750" 196.85 mm | 0.083" 2.108 mm | 4.250" 107.95 mm | 0.065" 1.65 mm | C64304 4030 | C64316L 4030 |
| 6" x 3" | 6.000" 152.4 mm | 3.000" 76.2 mm | 10.000" 254 mm | 0.109" 2.768 mm | 5.250" 133.35 mm | 0.065" 1.65 mm | C64304 6030 | C64316L 6030 |
| 6" x 4" | 6.000" 152.4 mm | 4.000" 101.6 mm | 10.000" 254 mm | 0.109" 2.768 mm | 5.500" 139.7 mm | 0.083" 2.108 mm | C64304 6040 | C64316L 6030 |