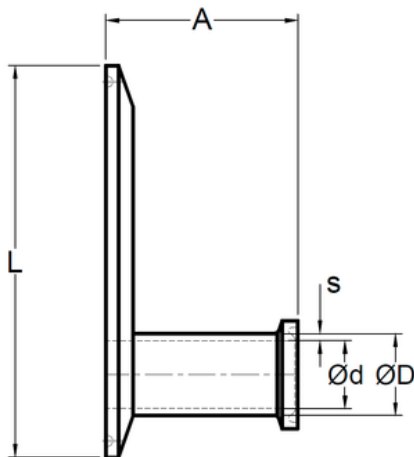
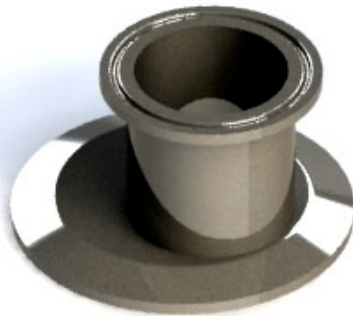


Reducción excéntrica con Niple, extremos ferulados



SIZE	L	ØD	Ød	A	B	# Parte / Ac. Inox 304	# Parte / Ac. Inox 316L
3/4"x1/2"	0.984" 24.99 mm	0.500" 12.7 mm	0.370" 9.398 mm	1.750" 44.45 mm	0.093" 2.362 mm	C75304 0705	C75316L 0705
1"x1/2"	1.984" 50.393 mm	0.500" 12.7 mm	0.370" 9.398 mm	1.750" 44.45 mm	0.218" 5.537 mm	C75304 1005	C75316L 1005
1"x3/4"	1.984" 50.393 mm	0.750" 19.05 mm	0.620" 15.758 mm	1.750" 44.45 mm	0.093" 2.362 mm	C75304 1007	C75316L 1007
1-1/2"x1/2"	1.984" 50.393 mm	0.500" 12.7 mm	0.370" 9.398 mm	1.750" 44.45 mm	0.468" 11.887 mm	C75304 1505	C75316L 1505
1-1/2"x3/4"	1.984" 50.393 mm	0.750" 19.05 mm	0.750" 19.05 mm	1.750" 44.45 mm	0.343" 8.712 mm	C75304 1507	C75316L 1507
1-1/2"x1"	1.984" 50.393 mm	1.000" 25.4 mm	1.870" 47.498 mm	1.750" 44.45 mm	0.218" 5.537 mm	C75304 1510	C75316L 1510
2" x 1/2"	2.516" 63.9 mm	0.500" 12.7 mm	0.370" 9.398 mm	1.750" 44.45 mm	0.718" 18.237 mm	C75304 2005	C75316L 2005
2" x 3/4"	2.516" 63.9 mm	0.750" 19.05 mm	0.620" 15.758 mm	1.750" 44.45 mm	0.593" 15.062 mm	C75304 2007	C75316L 2007
2" x 1"	2.516" 63.9 mm	1.000" 25.4 mm	0.870" 22.098 mm	1.750" 44.45 mm	0.468" 11.887 mm	C75304 2010	C75316L 2010
2" x 1-1/2"	2.516" 63.9 mm	1.500" 38.1 mm	1.370" 34.798 mm	1.750" 44.45 mm	0.218" 5.537 mm	C75304 2015	C75316L 2015
2-1/2"x1/2"	3.047" 77.393 mm	0.500" 12.7 mm	0.370" 9.398 mm	1.750" 44.45 mm	0.968" 24.587 mm	C75304 2505	C75316L 2505
2-1/2"x3/4"	3.047" 77.393 mm	0.750" 19.05 mm	0.620" 15.758 mm	1.750" 44.45 mm	0.843" 21.412 mm	C75304 2507	C75316L 2507
2-1/2"x1"	3.047" 77.393 mm	1.000" 25.4 mm	0.870" 22.098 mm	1.750" 44.45 mm	0.718" 18.237 mm	C75304 2510	C75316L 2510
2-1/2"x1-1/2"	3.047" 77.393 mm	1.500" 38.1 mm	1.370" 34.798 mm	1.750" 44.45 mm	0.468" 11.887 mm	C75304 2515	C75316L 2515
2-1/2"x2"	3.047" 77.393 mm	2.000" 50.8 mm	1.870" 47.498 mm	2.250" 57.15 mm	0.218" 5.537 mm	C75304 2520	C75316L 2520
3" x 1/2"	3.579" 90.9 mm	0.500" 12.7 mm	0.370" 9.398 mm	1.750" 44.45 mm	1.218" 30.937 mm	C75304 3005	C75316L 3005
3" x 3/4"	3.579" 90.9 mm	0.750" 19.05 mm	0.620" 15.758 mm	1.750" 44.45 mm	1.093" 27.762 mm	C75304 3007	C75316L 3007
3" x 1"	3.579" 90.9 mm	1.000" 25.4 mm	0.870" 22.098 mm	1.750" 44.45 mm	0.968" 24.587 mm	C75304 3010	C75316L 3010
3" x 1-1/2"	3.579" 90.9 mm	1.500" 38.1 mm	1.370" 34.798 mm	1.750" 44.45 mm	0.718" 18.237 mm	C75304 3015	C75316L 3015
3" x 2"	3.579" 90.9 mm	2.000" 50.8 mm	1.870" 47.498 mm	2.250" 57.15 mm	0.468" 11.887 mm	C75304 3020	C75316L 3020
3" x 2-1/2"	3.579" 90.9 mm	2.500" 63.5 mm	2.370" 60.198 mm	2.250" 57.15 mm	0.218" 5.537 mm	C75304 3025	C75316L 3025
4" x 1/2"	4.682" 118.922 mm	0.500" 12.7 mm	0.370" 9.398 mm	1.750" 44.45 mm	1.700" 43.18 mm	C75304 4005	C75316L 4005
4" x 3/4"	4.682" 118.922 mm	0.750" 19.05 mm	0.620" 15.758 mm	1.750" 44.45 mm	1.575" 40.005 mm	C11304 4007	C11316L 4007
4" x 1"	4.682" 118.922 mm	1.000" 25.4 mm	0.870" 22.098 mm	1.750" 44.45 mm	1.450" 36.83 mm	C11304 4010	C11316L 4010
4" x 1-1/2"	4.682" 118.922 mm	1.500" 38.1 mm	1.370" 34.798 mm	1.750" 44.45 mm	1.200" 30.48 mm	C11304 4015	C11316L 4015
4" x 2"	4.682" 118.922 mm	2.000" 50.8 mm	1.870" 47.498 mm	2.250" 57.15 mm	0.950" 24.13 mm	C11304 4020	C11316L 4020
4" x 2-1/2"	4.682" 118.922 mm	2.500" 63.5 mm	2.370" 60.198 mm	2.250" 57.15 mm	0.700" 17.78 mm	C11304 4025	C11316L 4025
4" x 3"	4.682" 118.922 mm	3.000" 76.2 mm	2.870" 72.898 mm	2.250" 57.15 mm	0.450" 11.43 mm	C11304 4030	C11316L 4030