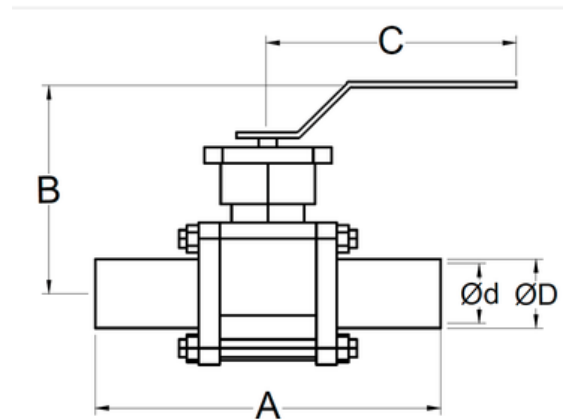


Válvulas de Bola

Válvula de bola soldable, operación manual, construcción bridada de tres piezas.



SIZE	ØD	Ød	A	B	C	# Parte / Ac. Inox 304	# Parte / Ac. Inox 316L
1/2"	0.500" 12.7 mm	0.370" 9.398 mm	3.500" 88.9 mm	2.051" 52.1 mm	3.937" 100.0 mm	F01304 05	F01316L 05
3/4"	0.750" 19.05 mm	0.620" 15.758 mm	4.000" 101.6 mm	2.280" 57.9 mm	5.197" 132.0 mm	F01304 07	F01316L 07
1"	1.000" 25.4 mm	0.870" 22.098 mm	4.500" 114.3 mm	2.441" 62.0 mm	5.197" 132.0 mm	F01304 10	F01316L 10
1-1/2"	1.500" 38.1 mm	1.370" 34.798 mm	5.500" 139.7 mm	3.858" 98.0 mm	6.890" 175.0 mm	F01304 15	F01316L 15
2"	2.000" 50.8 mm	1.870" 47.498 mm	6.250" 158.75 mm	4.091" 103.9 mm	6.890" 175.0 mm	F01304 20	F01316L 20
2-1/2"	2.500" 63.5 mm	2.370" 60.198 mm	7.775" 197.5 mm	5.551" 141.0 mm	10.236" 260.0 mm	F01304 25	F01316L 25
3"	3.000" 76.2 mm	2.870" 72.898 mm	9.000" 228.6 mm	6.098" 154.9 mm	10.236" 260.0 mm	F01304 30	F01316L 30
4"	4.000" 101.6 mm	3.834" 97.383 mm	9.500" 241.3 mm	6.890" 175.0 mm	10.236" 260.0 mm	F01304 40	F01316L 40